

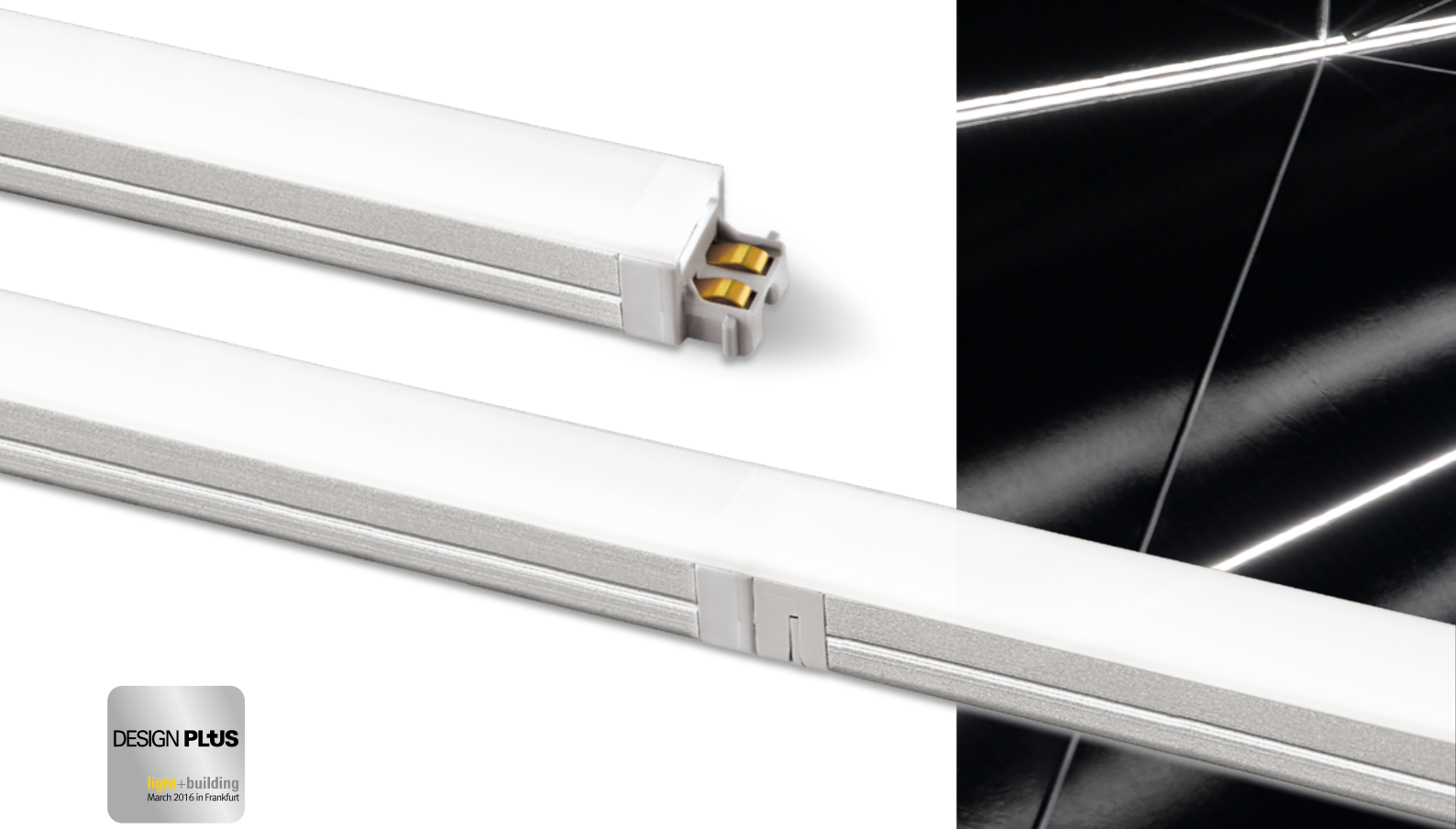
**FLX Stix NDPro**

LED for Display, Cabinet, Furniture &amp; Cove

Linear Perfection with NDPro



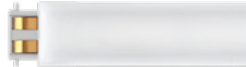
- Super slim linear LED with spot free output
- Quick connection system
- Perfected with color consistency
- No dark spot at the linkage point for seamless effect
- Various mounting methods including magnetic
- Dimmable with available accessories



CONDÉ NAST  
INTERNATIONAL LUXURY CONFERENCE  
**FUTURE LUXURY**  
2016  
In Partnership with  
VENDÔME  
SWAROVSKI



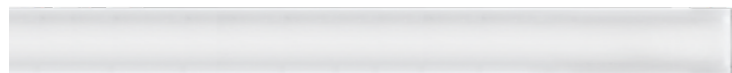
**FLX Stix NDPro**  
Standard Output



NDP1 L38 / FLX Stix NDPro .5W length (38mm)



NDP1 / FLX Stix NDPro 1W length (100mm)



NDP3 / FLX Stix NDPro 3W length (193mm)



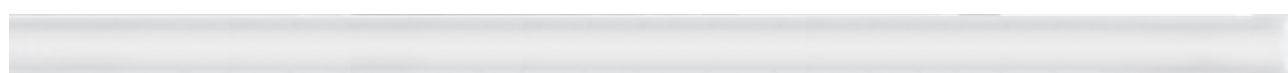
NDP4 / FLX Stix NDPro 4W length (284mm)



NDP7 / FLX Stix NDPro 7W length (564mm)



NDP11 / FLX Stix NDPro 11W length (843mm)

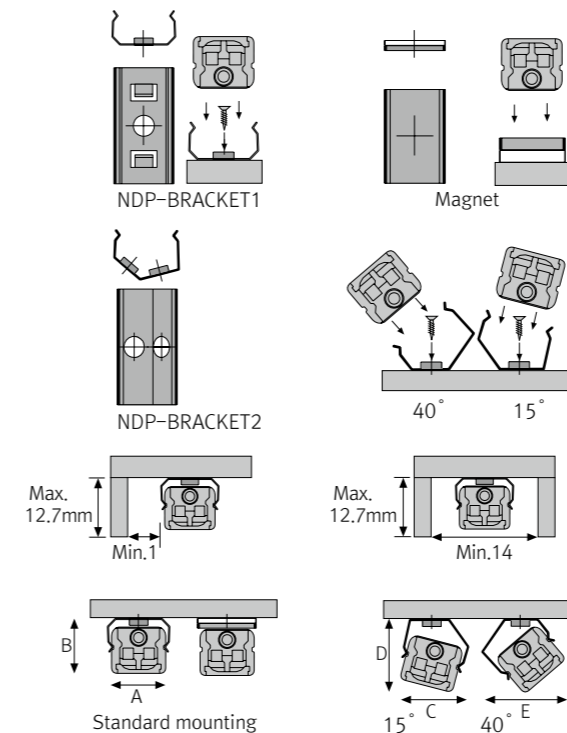


NDP15 / FLX Stix NDPro 15W length (1,122mm)

**Various options**



**Installation**



**Max. connection**

- 55W in one row (single power feed)
- LED Driver

LED Driver Model Name	Max. units for LED Driver		
	24V/30W	24V/75W	24V/200W
NDP1 40K-24V-C90	25	62	160
NDP3 40K-24V-C90	10	25	66
NDP4 40K-24V-C90	7	18	50
NDP7 40K-24V-C90	4	10	28
NDP11 40K-24V-C90	2	6	18
NDP15 40K-24V-C90	2	5	13

- W/ Bracket

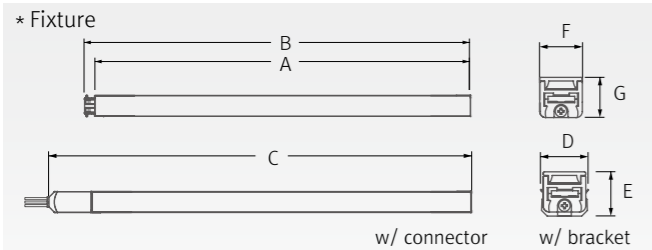
	A(mm)	B(mm)	C(mm)	D(mm)	E(mm)	F(mm)
Flat type	12.7	11	13.1	14.3	16	14.6

**Specification**

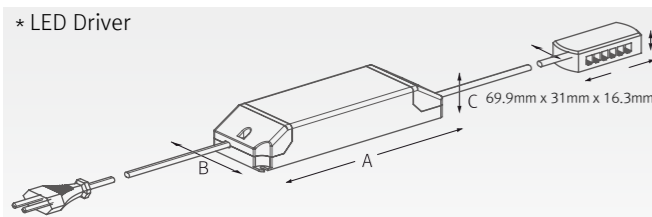
Model Name	Power Input	Lamp Power	Lumens	Efficiency	Color Rendering	Available Color	Operating Temperature
NDP1 40K-24V-C90-L38	DC 24V	.5 W	40 lm	80 lm/W	Ra > 90	2,200K/2,500K/2,700K/3,000K/3,500K/ 4,000K/5,000K /5,700K	0~45°C
NDP1 40K-24V-C90	DC 24V	1.2 W	86 lm	70 lm/W	Ra > 90	2,200K/2,500K/2,700K/3,000K/3,500K/ 4,000K/5,000K /5,700K	0~45°C
NDP3 40K-24V-C90	DC 24V	2.4 W	170 lm	70 lm/W	Ra > 90	2,200K/2,500K/2,700K/3,000K/3,500K/ 4,000K/5,000K /5,700K	0~45°C
NDP4 40K-24V-C90	DC 24V	3.6 W	259 lm	71 lm/W	Ra > 90	2,200K/2,500K/2,700K/3,000K/3,500K/ 4,000K/5,000K /5,700K	0~45°C
NDP7 40K-24V-C90	DC 24V	7.1 W	515 lm	73 lm/W	Ra > 90	2,200K/2,500K/2,700K/3,000K/3,500K/ 4,000K/5,000K /5,700K	0~45°C
NDP11 40K-24V-C90	DC 24V	10.8 W	823 lm	76 lm/W	Ra > 90	2,200K/2,500K/2,700K/3,000K/3,500K/ 4,000K/5,000K /5,700K	0~45°C
NDP15 40K-24V-C90	DC 24V	14.4 W	1,032lm	72 lm/W	Ra > 90	2,200K/2,500K/2,700K/3,000K/3,500K/ 4,000K/5,000K /5,700K	0~45°C

**Dimension**

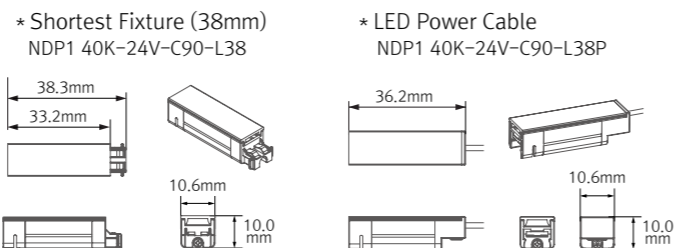
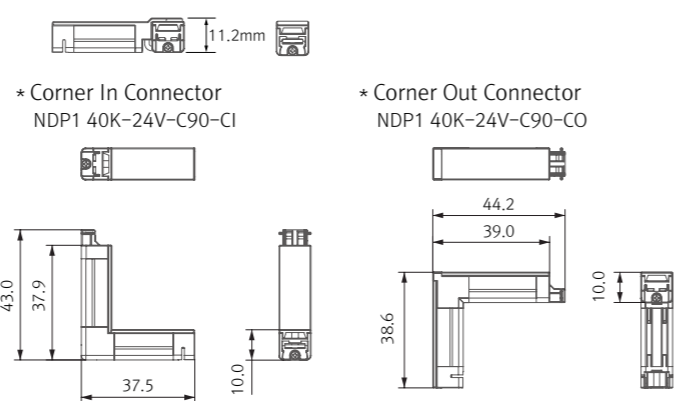
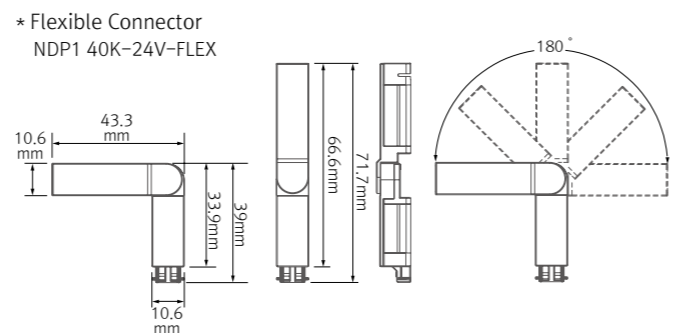
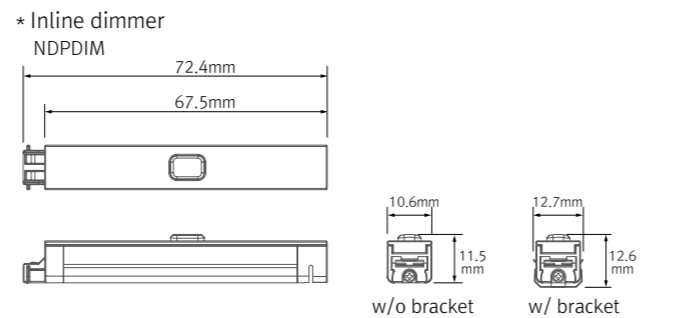
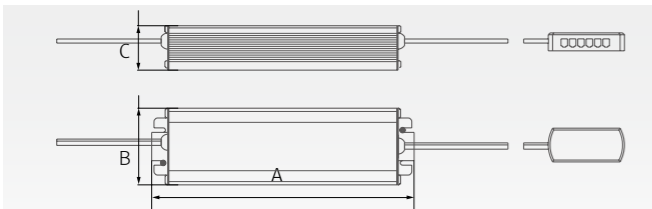
Model Name	Power Input (V)	Lamp Power (W)	A (mm)	B (mm)	C (mm)	D (mm)	E (mm)	F (mm)	G (mm)
NDP140K-24V-C90-L38	DC 24	.5	33	38	55	12.7	11.2	10.6	10
NDP1 40K-24V-C90	DC 24	1.2	95	100	117	12.7	11.2	10.6	10
NDP340K-24V-C90	DC 24	2.4	188	193	210	12.7	11.2	10.6	10
NDP4 40K-24V-C90	DC 24	3.6	279	284	301	12.7	11.2	10.6	10
NDP7 40K-24V-C90	DC 24	7.1	559	564	581	12.7	11.2	10.6	10
NDP1140K-24V-C90	DC 24	10.8	838	843	860	12.7	11.2	10.6	10
NDP1540K-24V-C90	DC 24	14.4	1,117	1,122	1,139	12.7	11.2	10.6	10



Model Name	A (mm)	B (mm)	C (mm)
FLC30-24V/T	150	41	31
FLC75-24V-P/T	180	60	32



Model Name	A (mm)	B (mm)	C (mm)
FLC200-24V/T	228	68	39



**Accessories**

- Ⓐ Connecting cables/(Between FLX Stix NDPro & FLX Stix NDPro)**  
 NDPPTC | NDPPTC1 | NDPPTC2 | NDPPTC4 | NDPPTC6  
 150mm(6inch) | 300mm(1feet) | 600mm(2feet) | 1,200mm(4feet) | 1,800mm(6feet)  
 \* Available Color : Black, Gray
- Ⓑ Power cable : NDPPC (2,500mm/4,000mm)**  
 Power cable (Between FLX Stix NDP & 12-way distributor)  
 \* Available Color : Black, Gray
- Ⓒ LED Power cable : NDP1 40K-24V-C90-L38P**  
 Fixture (36mm)  
 Power cable (2,500mm)
- Ⓓ Mounting bracket : NDP-BRACKET1**  
 NDP-BRACKET1(A) : 1set = 2pcs  
 NDP-BRACKET1(B) : 1set = 3pcs
- Ⓔ Angle bracket (15° & 40°) : NDP-BRACKET2**  
 NDP-BRACKET2(A) : 1set = 2pcs  
 NDP-BRACKET2(B) : 1set = 3pcs
- Ⓕ Connecting Bracket : NDP-BRACKET3**  
 Included in fixture
- Ⓖ Power Bracket : NDP-BRACKET4**  
 Included in NDPPC and NDPPTC
- Ⓗ Sidefeed for seamless extension (3W) : NDP3 40K-24V-C90-S**  
 The dimension is the same as NDP3 40K-24V  
 Powered only through cable, no power supply on the input connector
- Ⓘ Flexible Connector : NDP1 40K-24V-C90-FLEX**
- Ⓚ Corner In Connector : NDP1 40K-24V-C90-CI**
- Ⓛ Corner Out Connector : NDP1 40K-24V-C90-CO**
- Ⓜ End cap : NDP-CAP**  
 Included in fixture
- Ⓝ LED Driver with 12way distributor, with power cord (1800mm)**  

Part No	FLC30-24V/T	FLC75-24V-P/T
Capacity	30W 24V	75W 24V
- Ⓟ LED Driver : FLC200-24V/T (200W DC24V)**  
 LED Driver With 12way distributor
- Ⓠ Dimming Interface (1-10V) : FDC-L10**  
 Max. 100W (100W/CH, 1CH)
- Ⓡ Dimming Interface(0-10/1-10,DMX512)**  
 FDA-L2M0 : Max. 200W (100W/CH, 2CH)  
 FDA-L5M : Max. 200W (50W/CH, 5CH)
- Ⓢ Dimming Interface (Dali) : FDD-L1DA**  
 Max. 200W (100W/CH, 1CH)
- Ⓣ Occupancy Sensor : NDP-OSM**  
 NDP Occupancy Sensor Inline Module
- Ⓤ Inline dimmer : NDPDIM**  
 Max 55W in a row
- Ⓡ Door and motion detection sensor : FLS-M24V**  
 Voltage : DC 24V
- Ⓢ Human-body detection sensor : FLS-P24V**  
 Voltage : DC 24V

