

## NDPro Showcase Arm

LED for Showcase and Display

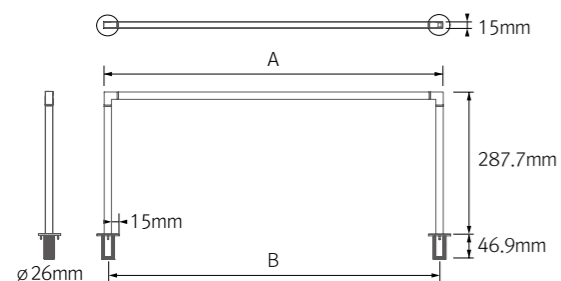
Rotatable Arm for NDPro



- Aluminum body with rotating top bar
- Easy assembly with NDPro fixture
- Various length available
- Ideal for showcase or exhibition



**Dimensions**

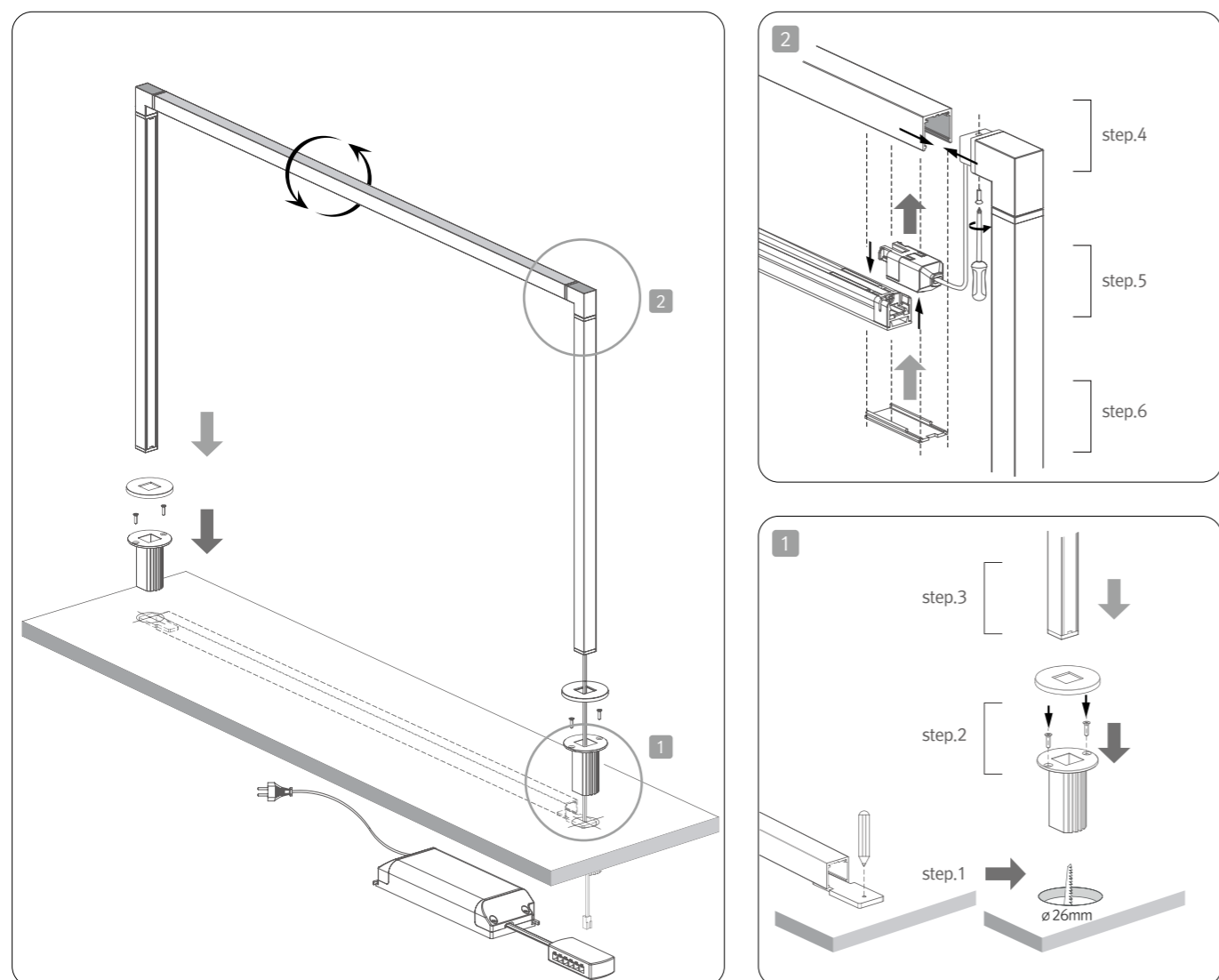


NDPro Showcase Arm for	Lamp Power	Lumens (4000K)	A (Top Length)	B (Recommended Distance for Mounting Holes)
NDP4 40K-24V-C90	3.6 W	259 lm	396.5mm	381mm
NDP7 40K-24V-C90	7.1 W	515 lm	676.5mm	661mm
NDP11 40K-24V-C90	10.8 W	823 lm	955.5mm	940mm
NDP15 40K-24V-C90	14.4 W	1,032 lm	1,234.5mm	1,219mm

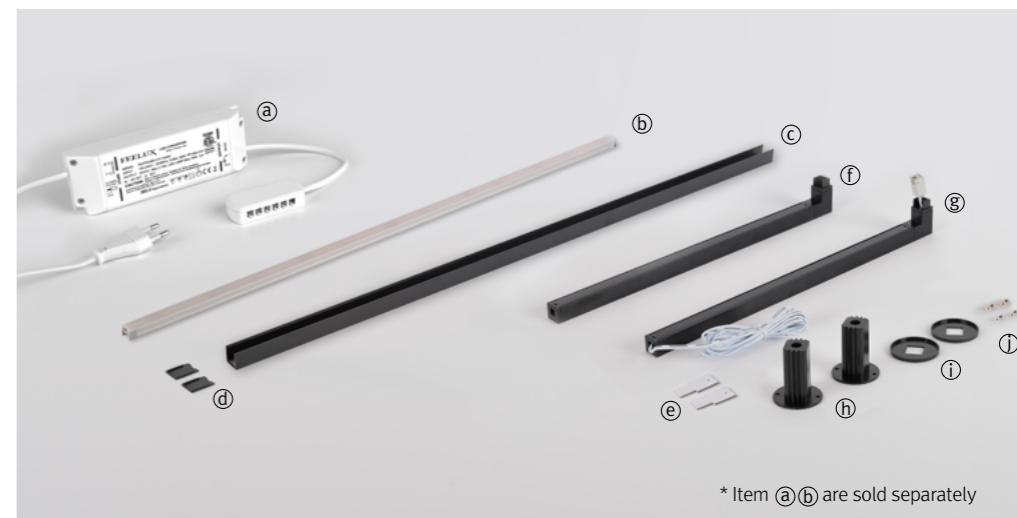
**Various options**



**Installation**



**Required Accessories**



\* Item (a)(b) are sold separately

- (a) LED Driver
  - (b) FLX Stix NDPro
  - (c) Top Bar
  - (d) Fix Cover
  - (e) Hole guide
  - (f) Side Pole
  - (g) Power Pole
  - (h) Mounting Base
  - (i) Mounting Base Cover
  - (j) Screw
- NDProTop Bar
- NDP Showcase Arm Kit

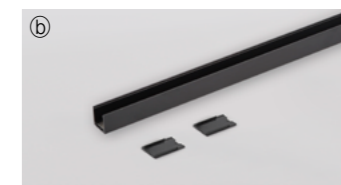
**Accessories**

(a) NDP Showcase Arm Kit : NDP-SA-KIT



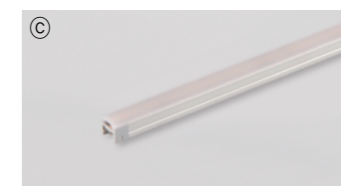
(b) NDPro Top Bar

- NDP4TB
- NDP7TB
- NDP11TB
- NDP15TB



(c) NDPro Fixture

- NDP4 40K-24V-C90
- NDP7 40K-24V-C90
- NDP11 40K-24V-C90
- NDP15 40K-24V-C90



(d) LED Driver with 12way distributor, with power cord (1,800mm)

Part No	FLC30-24V/T	FLC75-24V-P/T
Capacity	30W 24V	75W 24V

