

## FLXible LED Tape Pro

High flexibility LED tape for various application

High output with LED Flexible Tape Pro



- Ultra slim and seamless Dot-Free Illumination
- High Efficiency / High Output (110lm/W)
- High CRI (CRI 90)
- Bend Direction Vertically
- Indoor/Outdoor Application with silicon material (IP65)
- Field Cuttable (33mm) for customized length
- Dimmable
- 15W per meter

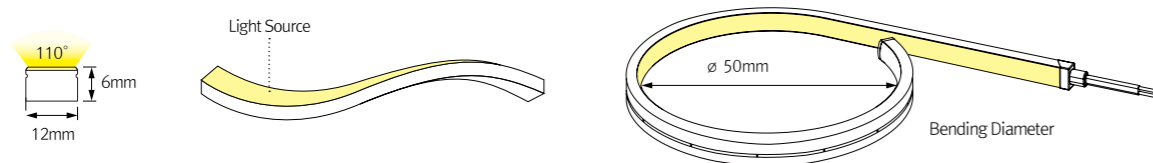




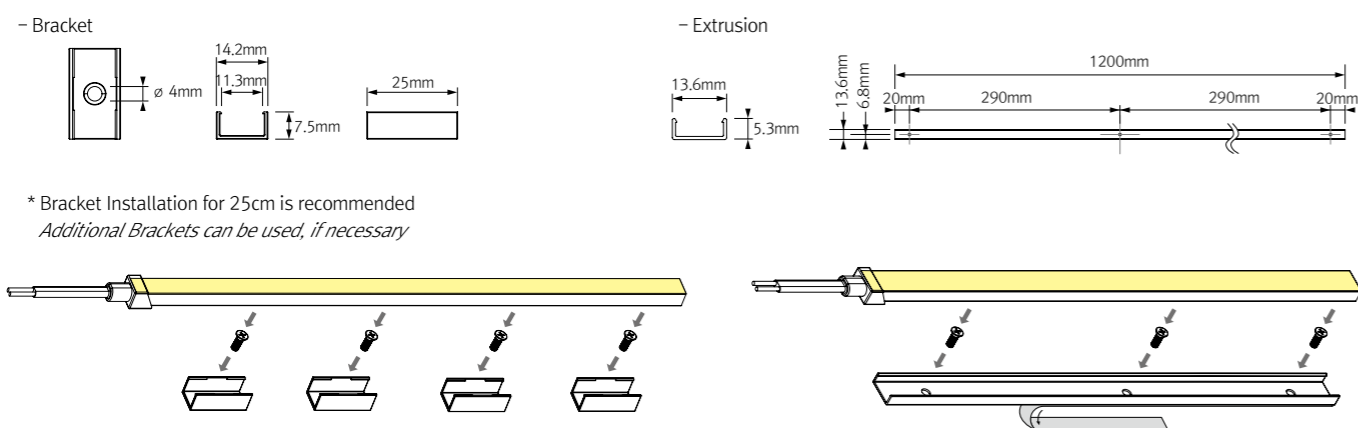
### Specification

Model Name	Power Input	Lamp power	Luminous Flux	Efficiency	Color Rendering	Available Color	Operating temperature	IP	Material
FTP15 27K-24V-C90	DC 24V	13.85 W/m	1,361 lm/m	98.24 lm/W	Ra >90	2,700 K	0°C to 45°C	IP65	Silicon
FTP15 30K-24V-C90		14.01 W/m	1,443 lm/m	103.02 lm/W		3,000 K			
FTP15 35K-24V-C90		13.95 W/m	1,527 lm/m	109.4 lm/W		3,500 K			
FTP15 40K-24V-C90		14.36 W/m	1,561 lm/m	108.7 lm/W		4,000 K			

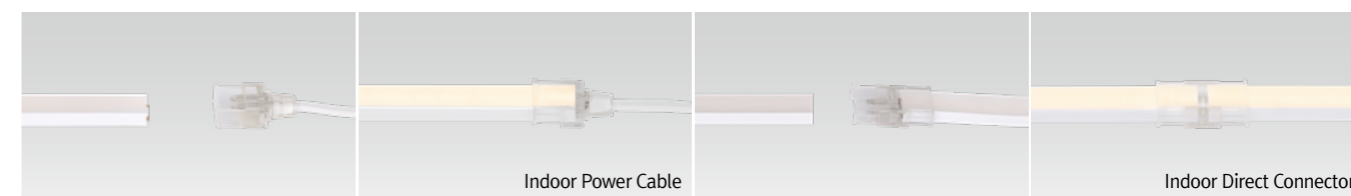
### Physical specifications



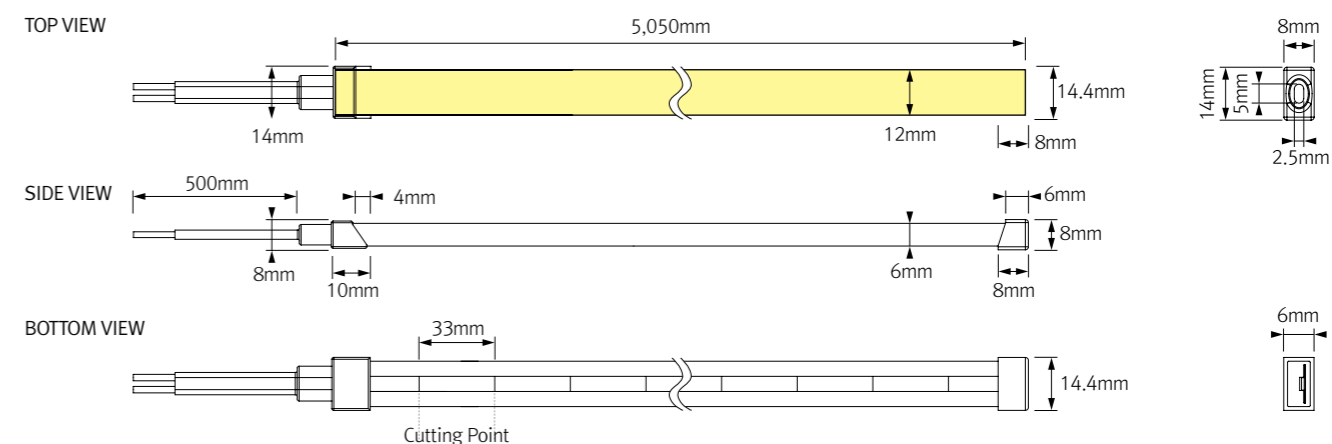
### Installation



### Various connection



### Dimensions



### Accessories

- a Flexible LED Tape Pro**  
FTP15 40K-24V-C90(5M): 72W
- b Power Cable**  
FTP-INPC (2,500mm) with end cap
- c Direct connector**  
FTP-INCP
- d Mounting brackets**  
FTP-BRACKET (1set = 4pcs)
- e FTP Extrusion line**  
FTP-EXL (1.2m)
- f LED Driver with 12way distributor, with power cord (1,800mm)**

Part No	FLC30-24V/T	FLC75-24V-P/T
Capacity	30W 24V	75W 24V
- g LED Driver : FLC200-24V/T (200W DC24V)**  
LED Driver With 12way distributor
- h Dimming Interface (0-10V)**  
FDC-L10: Max. 100W (100W/CH, 1CH)
- i Dimming Interface (0-10/1-10, DMX512)**  
FDA-L2M0 : Max. 200W (100W/CH, 2CH)
- j Dimming Interface (Dali)**  
FDD-L1DA: Max. 200W (100W/CH, 1CH)
- k Dimming Interface (Zigbee)**  
FDD-L2Z : Max. 200W (100W/CH, 2CH)
- o Switch (Zigbee)**  
FSM-Z1 : Wireless Control

