

LuxFeel Interior Line

Express your space elegantly with LIL

High output Grazer with Multiple Beam Angles



- Indoor & Outdoor Application
- Versatile: Fitting shop, Hotel, Facades, Bridges, Gardens
- IP 67: Water resistance and suitable for outdoor use
- Adjustable product: Various Beam angle options
- Rotatable product to be adjusted conveniently
- High color rendering
- Various length available

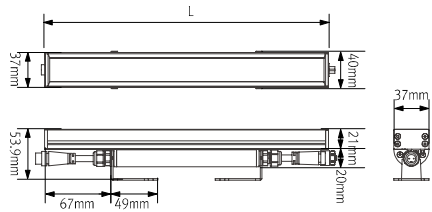




Specification

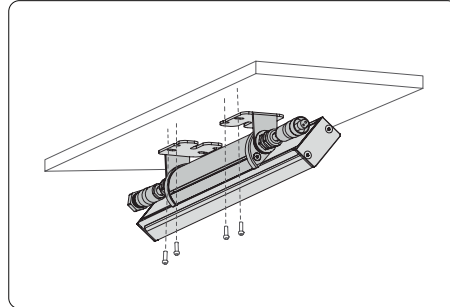
Model Name	Power Input	Lamp power	Lumens	Efficiency	Color Rendering	Available color	Beam Angle	Operating Temperature	IP	Color
LIL30 30K-20V-C90	DC24V	12 W	920 lm	80 lm/W	Ra > 90	3,000K 4,000K	10 x 60° 30°, 40°	0 ~ 45°C	IP67	Black White
LIL60 30K-20V-C90		24 W	1,900 lm							
LIL90 30K-20V-C90		36 W	2,900 lm							
LIL120 30K-20V-C90		48 W	3,700 lm							

Dimension

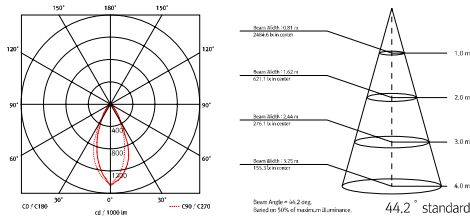


Model Name	L (Length/mm)
LIL30 30K-20V-C90	300
LIL60 30K-20V-C90	600
LIL90 30K-20V-C90	900
LIL120 30K-20V-C90	1,200

Installation



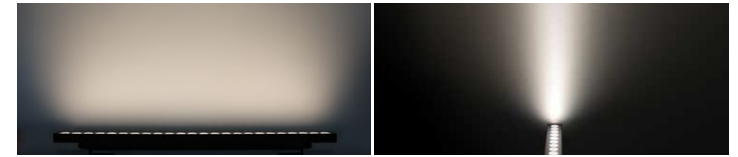
Photometric data



Notice

- Max. connection : 100W in one row (single power feed)

Light output



Accessories

Ⓐ Open Power cable : LILOPC (2,500mm)

* Available Color : Black, White



Ⓑ Connecting cable : LILPTC

LILPTC (150mm) LILPTC4 (1,200mm)
LILPTC1 (300mm) LILPTC6 (1,800mm)
LILPTC2 (600mm)



Ⓒ LED Driver with 12way distributor with power cord (1,800mm)

Part NO	FLC30-24V/T	FLC75-24V-P/T
Capacity	30W 24V	75W 24V



Ⓓ LED Driver : FLC200-24V/T (200W DC24V)

LED Driver With 12way distributor



Ⓔ Dimming Interface (1-10V) : FDC-L10

Max. 100W (100W/CH, 1CH)



Ⓕ Dimming Interface (0-10V/1-10, DMX512)

FDA-L2M0 : Max. 200W (100W/CH, 2CH)
FDA-L5M : Max. 200W (50W/CH, 5CH)



Ⓖ Dimming Interface (Dali) : FDD-L1DA

Max. 200W (100W/CH, 1CH)

