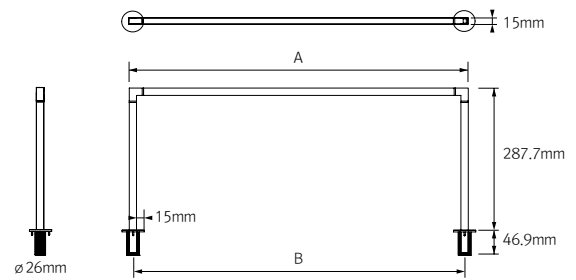




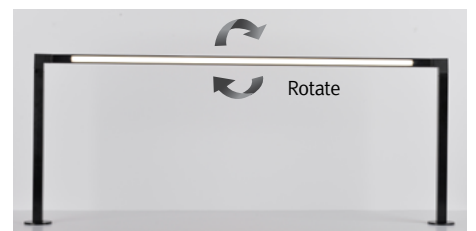
PRODUCT FEATURES

- Aluminum body with rotating top bar
- Easy assembly with NDPro fixture
- Various length available
- Ideal for showcase or exhibition

DIMENSIONS

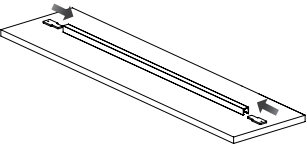


NDPro Showcase Arm for	Lamp Power	Luminous Flux (4000K)	A (Top Length)	B (Recommended Distance for Mounting Holes)
NDP4 40K-24V-C90	4W	300 lm	396.5mm	381mm
NDP7 40K-24V-C90	7W	570 lm	676.5mm	661mm
NDP11 40K-24V-C90	11W	860 lm	955.5mm	940mm
NDP15 40K-24V-C90	15W	1,210 lm	1234.5mm	1219mm



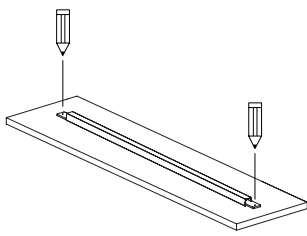
INSTALLATION

Step.1



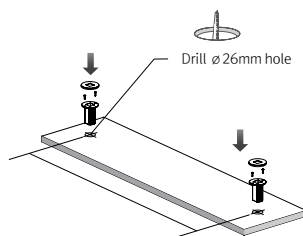
1. Place the Top Bar onto the deck.
2. Insert the hole guides into both ends of Top Bar.

Step.2



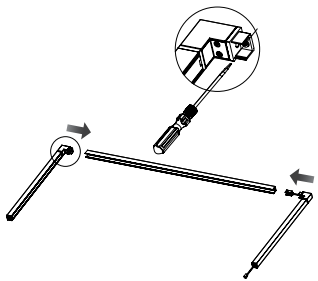
1. Mark the hole to determine the location to drill.

Step.3



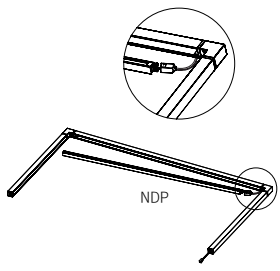
1. Drill $\varnothing 26\text{mm}$ holes to insert Mounting Base.
2. Fix Mounting Base with screws and attach Mounting Base Cover on top.

Step.4



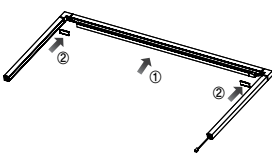
1. Connect Top Bar with Side Pole and Power Pole on each side.
2. Tighten the screw on both Side Pole and Power Pole for assembly stability.

Step.5



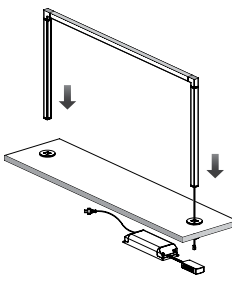
1. Connect NDPro fixture to power cable from Power Pole.

Step.6



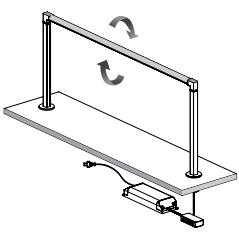
1. Mount NDPro fixture on Top Bar with magnets.
2. Push and insert Fix Cover to cover both ends for clean look.

Step.7



1. Insert Side Pole and Power Pole onto Mounting Base Cover.
2. Connect power cord from Power Pole to FLC30/FLC75 LED driver.

Step.8



1. Rotate Top Bar to desired position and check NDPro lighting fixture is on and functioning properly.

Required Accessories



- Ⓐ LED Driver
- Ⓑ FLX Stix NDPro
- Ⓒ Top Bar
- Ⓓ Fix Cover
- Ⓔ Hole guide
- Ⓕ Side Pole
- Ⓖ Power Pole
- Ⓗ Mounting Base
- Ⓘ Mounting Base Cover
- ⓵ Screw

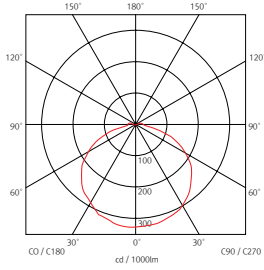
NDPro Top Bar

NDPro Showcase Arm Kit

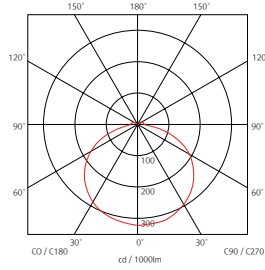
* Item ⒶⒷ are sold separately

BEAM SPREADS

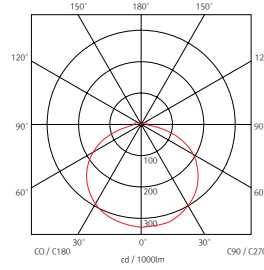
NDP4 40K-24V-C90
75.32 lm/W
270.40 lm



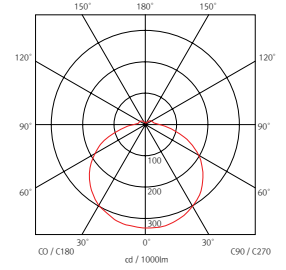
NDP7 40K-24V-C90
74.59 lm/W
531.00 lm



NDP11 40K-24V-C90
74.75 lm/W
797.05 lm



NDP15 40K-24V-C90
75.26 lm/W
1078.47 lm



COMPONENTS



NDPro Showcase Arm Kit

__ NDP-SA-KIT



NDPro Fixture

__ NDP4-(color)K-24V
__ NDP7-(color)K-24V
__ NDP11-(color)K-24V
__ NDP15-(color)K-24V



NDPro Top Bar

__ NDP4TB
__ NDP7TB
__ NDP11TB
__ NDP15TB



12 Port Hub

__ 12 Way distributor
Included with Cord and Plug drivers.
Order separately for 3rd Party Drivers



LED Drivers

__ FLC30-24V/T (30W)
__ FLC75-24V/T (75W)
with distributor and power cord
(1,800mm)



LED Driver

__ FLC200-24V/T (200W)
with 12way distributor



Dimming Interface (0-10V/1-10V)

__ FDC-L10 (Max. 100W)



Dimming Interface

__ FDA-L2MO (0-10V/1-10V, DMX512)
Max. 200W (100W/CH, 2CH)
__ FDA-L5M (DMX512)
Max. 200W (50W/CH, 5CH)



Dimming Interface (Dail)

__ FDD-L1DA
Max. 200W (100W/CH, 1CH)