



PRODUCT FEATURES

- Indoor & Outdoor Application
- Versatile: Fitting shop, Hotel, Facades, Bridges, Gardens
- IP 67: Water resistance and suitable for outdoor use
- Adjustable product: Various Beam angle options
- Rotatable product to be adjusted conveniently
- High color rendering
- Various length available

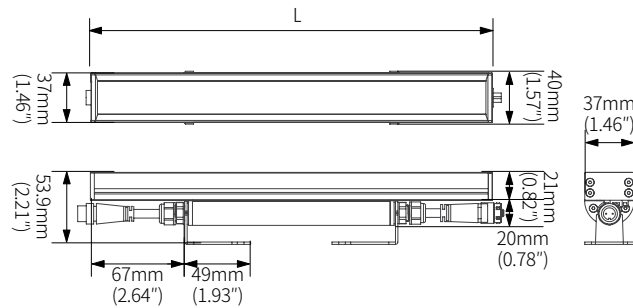
PRODUCT SPECIFICATIONS

Power Input	24VDC Constant Voltage Feelux or Class 2 Drivers
IP Rate	IP67
Color Rendering Index	Ra>90
Available CCTs	3000K, 4000K
Energy Efficiency	LED 100 lm/W, Luminaire 80lm/W
Operating Temperature Ranges	32-113°F (0-45°C)
Dimming with Feelux Interface	PWM/0-10V/DALI/PHASE/DMX512/WIRELESS
Beam Angle	10x60°, 30°, 40°
Lamp Life	50,000hr / 70%
Warranty	3 year

SPECIFICATION

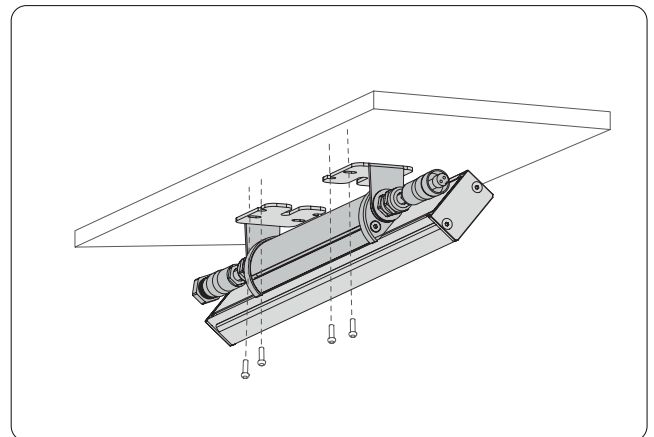
Model Name	Power Input	Lamp power	Lumens	Efficiency	Color Rendering	Available color	Beam Angle	Operating Temperature	IP	Color
LIL30 30K-20V-C90	DC 24V	12 W	920 lm	80 lm/W	Ra > 90	3,000K 4,000K	10 x 60° 30°, 40°	0 ~ 45°C	IP67	Black White
LIL60 30K-20V-C90		24 W	1,900 lm							
LIL90 30K-20V-C90		36 W	2,900 lm							
LIL120 30K-20V-C90		48 W	3,700 lm							

DIMENSION



Model Name	L (Length/mm)
LIL30 30K-20V-C90	300(11.81")
LIL60 30K-20V-C90	600(23.62")
LIL90 30K-20V-C90	900(35.43")
LIL120 30K-20V-C90	1,200(47.24")

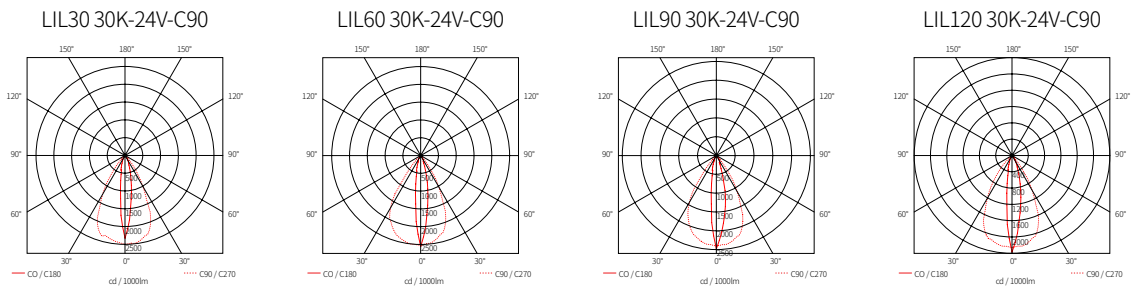
INSTALLATION



Light output



BEAM SPREADS



COMPONENTS



Open Power Cable
__LILOPC (2,500mm)



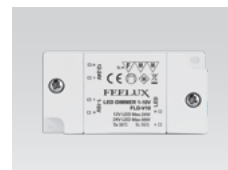
Connecting Cable
__LILPTC (150mm)
__LILPTC1 (300mm)
__LILPTC2 (600mm)
__LILPTC4 (1,200mm)
__LILPTC6 (1,800mm)



LED Drivers
__FLC30-24V/T (30W)
__FLC75-24V/T (75W)
with distributor and power cord (1,800mm)



LED Driver
__FLC200-24V/T (200W)
with 12way distributor



Dimming Interface
__FDC-L10
(0-10V)
Max. 100W (100W/CH, 1CH)



Dimming Interface
__FDA-L2MO
(0-10V/1-10V, DMX512)
Max. 200W (100W/CH, 2CH)
__FDA-L5M (DMX512)
Max. 200W (50W/CH, 5CH)



Dimming Interface
__FDD-L1DA
(Dail)
Max. 200W (100W/CH, 1CH)